

Product: **KLUDI ZENTA single lever sink mixer DN 10**

Ref.: **38973..75**

Product description

single lever sink mixer DN 10
 solid lever
 single hole mounted
 flow class A
 aerator M 24 x l
 ceramic cartridge
 swivelling spout (360°)
 rapid installation set
 flexible high pressure supply tubes G 3/8
 noise group I

Finishes:
 05 chrome
 86 chrome/black
 91 chrome/white
 96 stainless steel look

Product picture

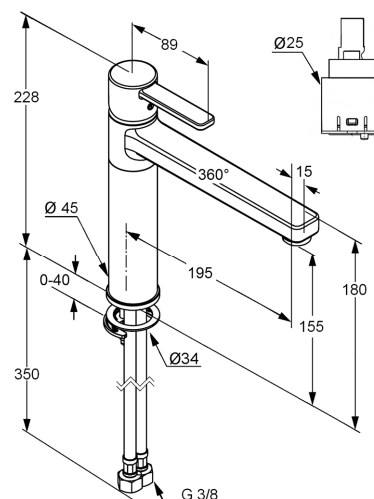


Advertisement

- * KLUDI GmbH & Co KG KLUDI ZENTA single lever sink mixer item no. 38973..75
- ** ceramic cartridge Ø 25 mm , DIN EN 817
- *** chrome plated brass, DIN 50930-6

single lever sink mixer, manufacturer KLUDI GmbH & Co KG KLUDI ZENTA single lever sink mixer item no. 38973..75, DN 10, finishes: 05 = chrome plated / 86 = chrome/black / 91 = chrome/white plated brass 96 = stainless steel look, type: single lever sink mixer DN 10, swivel spout, solid lever, lever projection 89 mm, aerator M 24 x l, noise level DIN 4109 group I, report no. P- IX., flow class A (max. 0,15 l/s), nozzle projection 195/211 mm, rapid installation set, flexible high pressure supply tubes 3/8 inch with metal body with DVGW / KIWA / WRAS / CSTB length 350 mm, nozzle height 155/180 mm, overall length 228 mm, ceramic cartridge Ø 25 mm, for borehole diameter Ø 34 mm, for pressure type water heater, for continuous line heater, PN 10,

Dimensional drawing



Flow rate diagram

